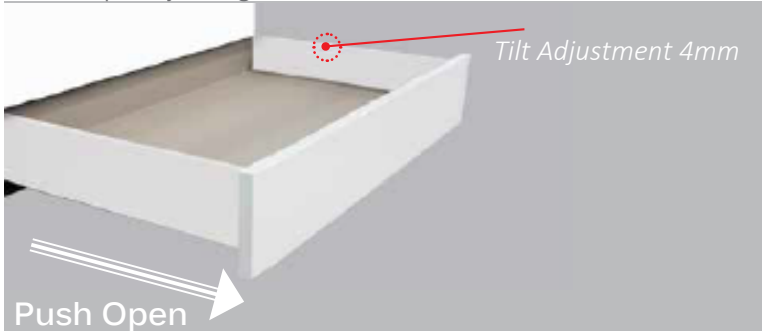


# Drawer Systems

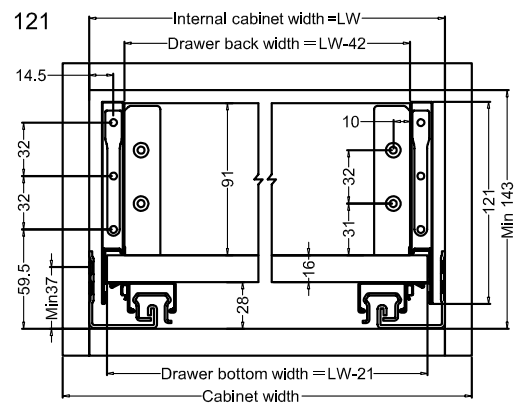
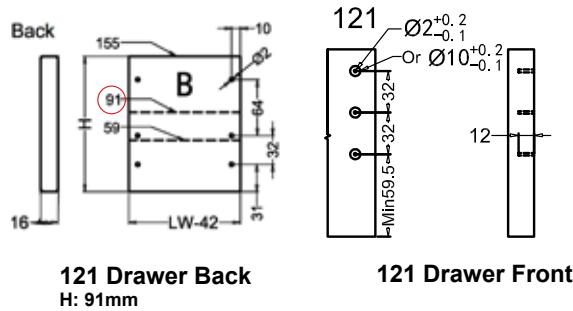
Load Capacity: 35kg Colour: White



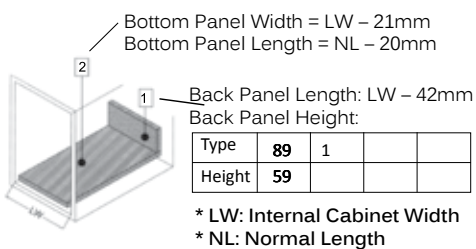
## Vero Slim Drawer Set- Push Open 121mm Height, White

Item No.	Height	Drawer Length
SC-802(PO)-400K	121	400
SC-802(PO)-450K	121	450
SC-802(PO)-500K	121	500

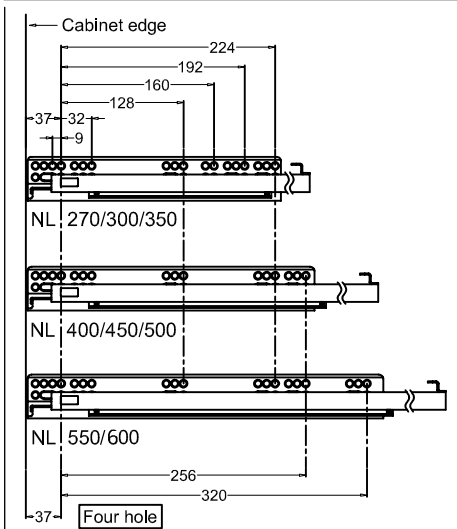
### Drawer Installation Dimensions (mm)



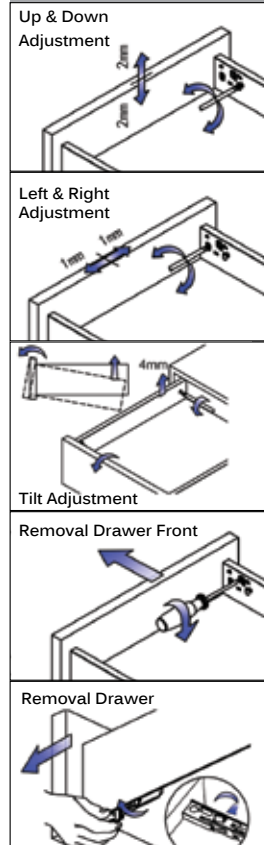
### Drawer Back & Bottom Dimensions



### Screw Positions Of The Sides

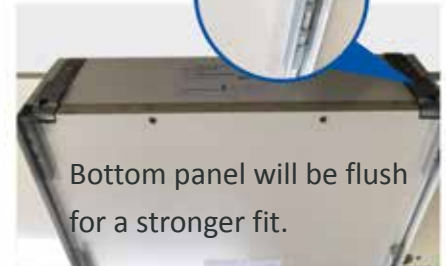


### Drawer Adjustment



- Soft Closing or Push Open
- 13mm Ultra Slim Drawer Sides
- 6-Way Adjustment Include Tilt Adjustment 4mm
- Specs on Cabmaster & Cabinet Vision
- 4 Heights Available
- Load Capacity: 35kg

### Alternative Cut Out



### Bottom Cut Out Diagram

- Bottom Panel NL-10mm.
- Cut out as marked above
- Fit bottom with cut outs to the back
- No brackets needed for back only screw fix.



89mm Marking Jig



121mm Marking Jig



185mm Marking Jig

Sign Up to check prices & order online