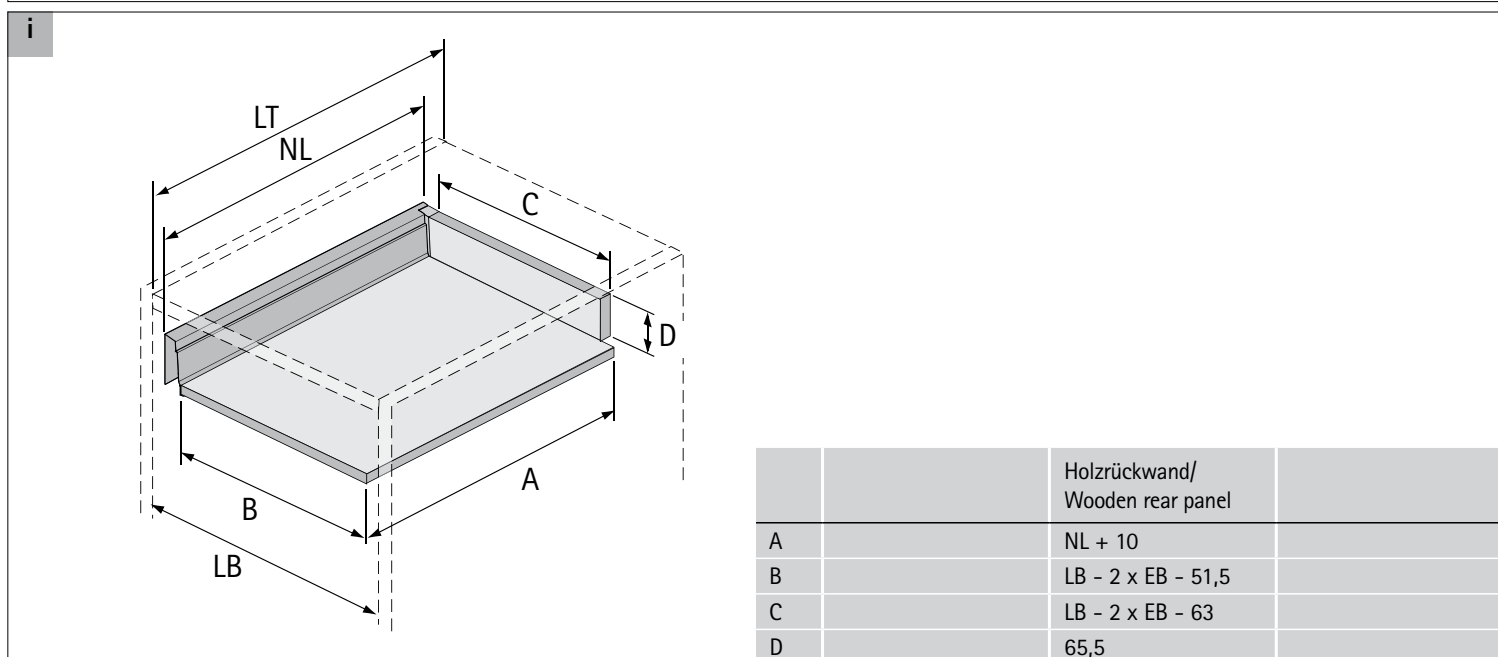
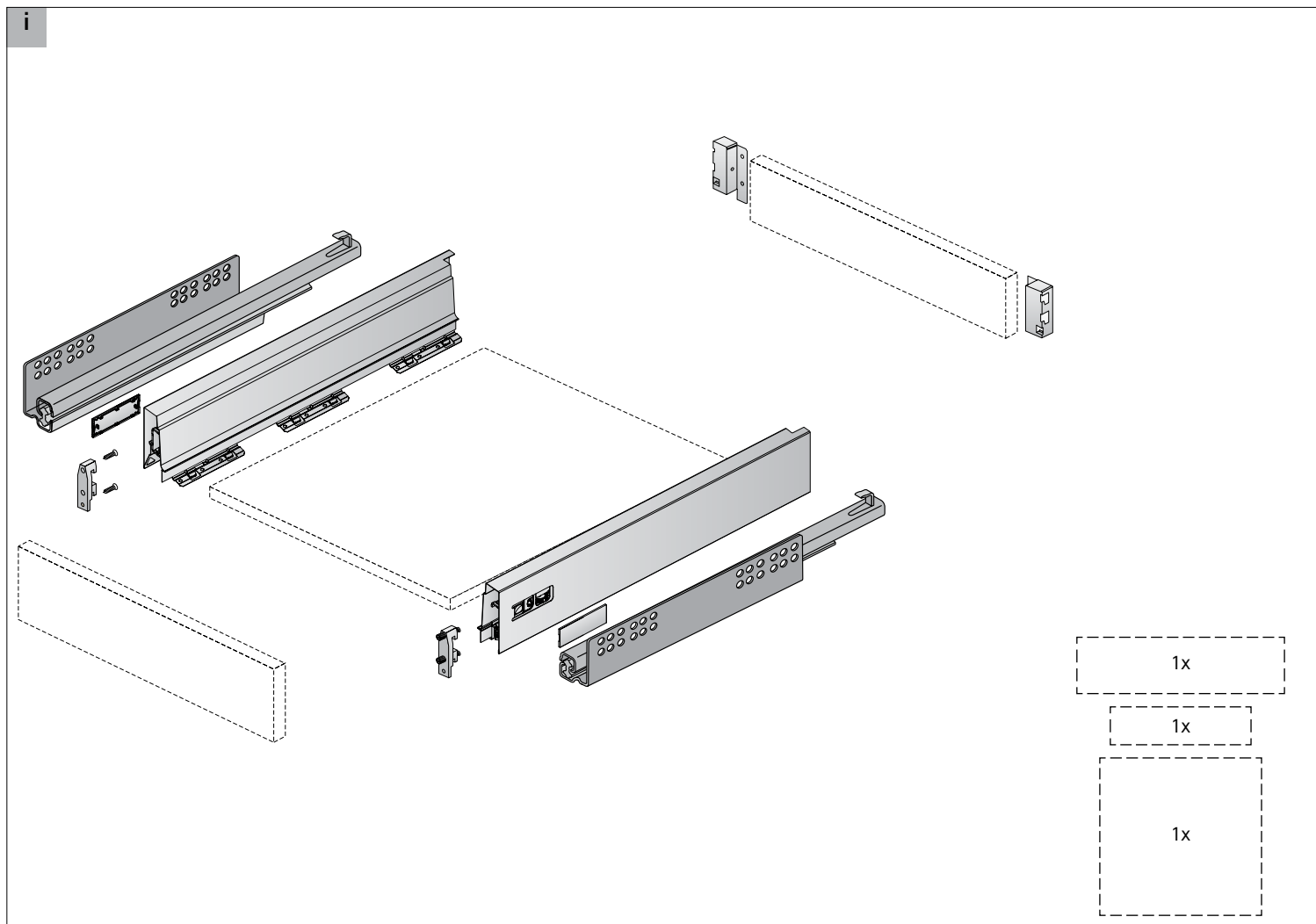
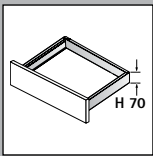
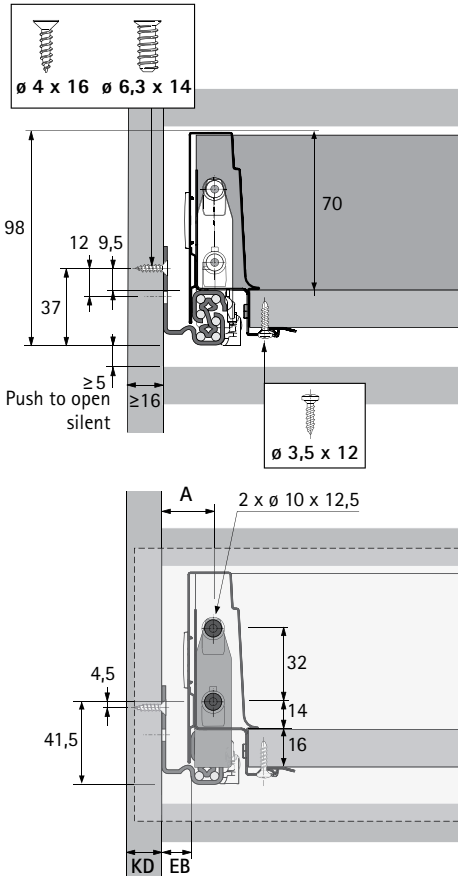


<http://www.hettich.com/short/15a1d3>



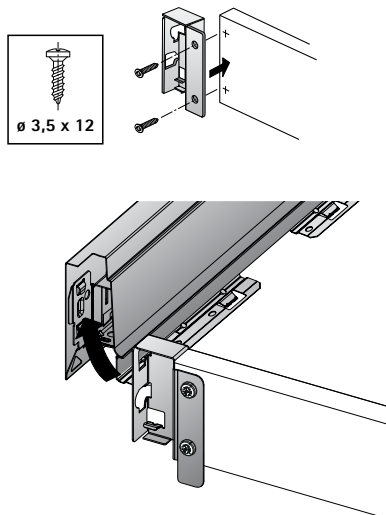


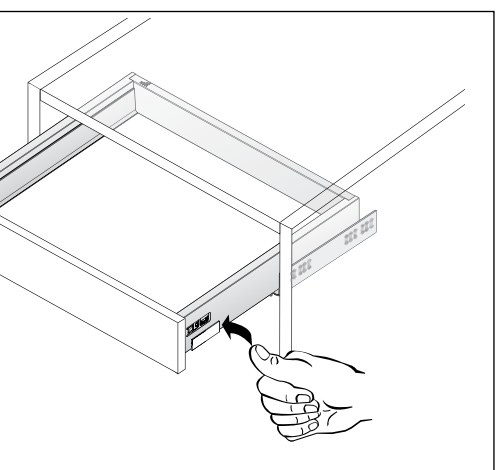
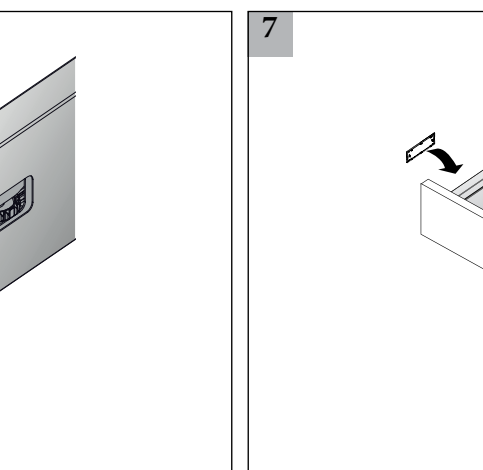
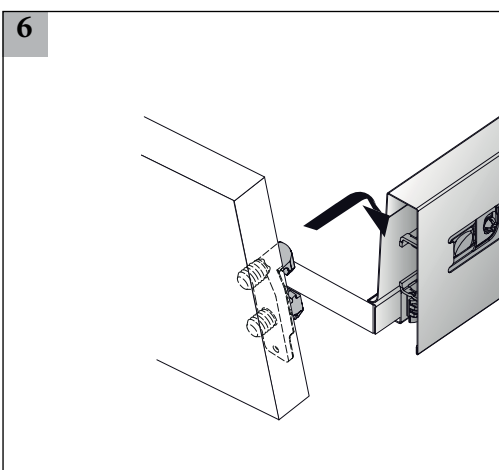
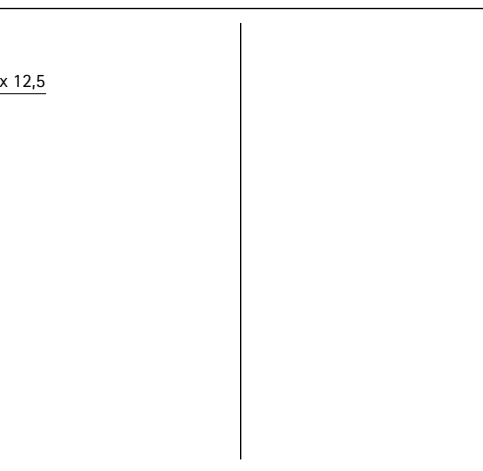
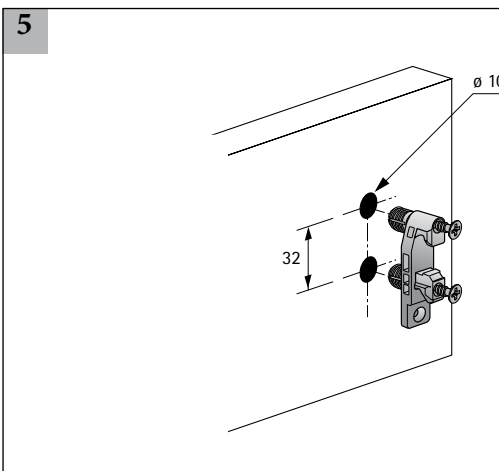
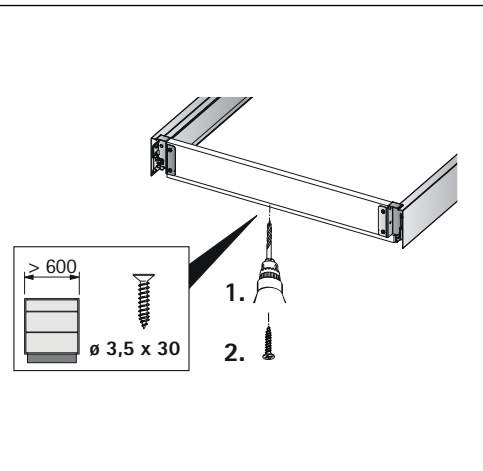
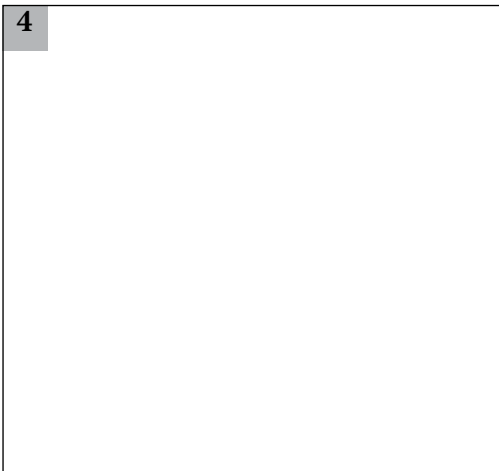
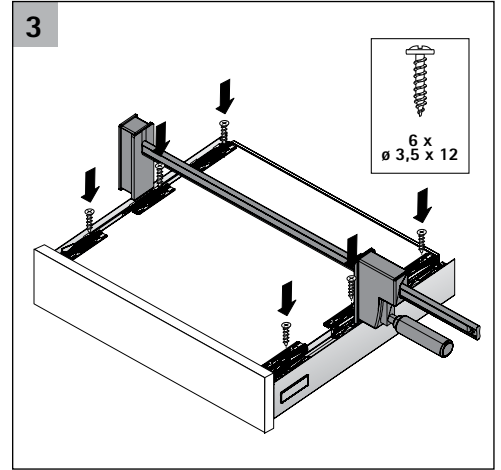
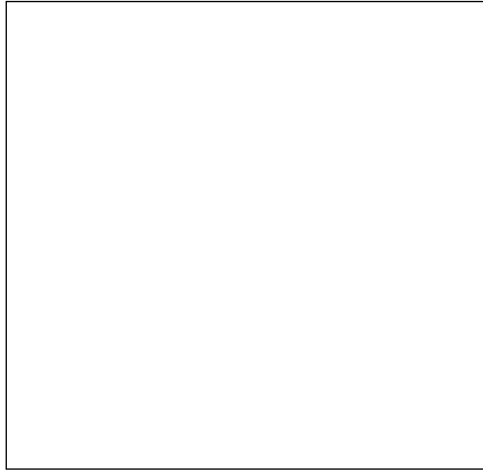
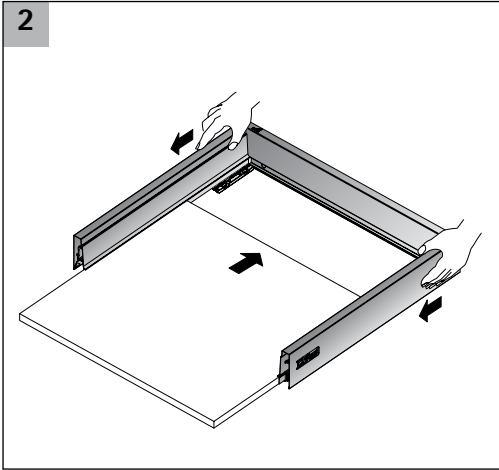
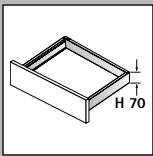
### Quadro V6

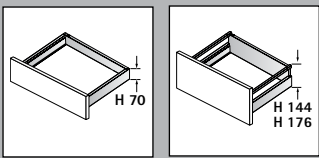


KD mm	16
EB mm	12,5
A mm	23

1

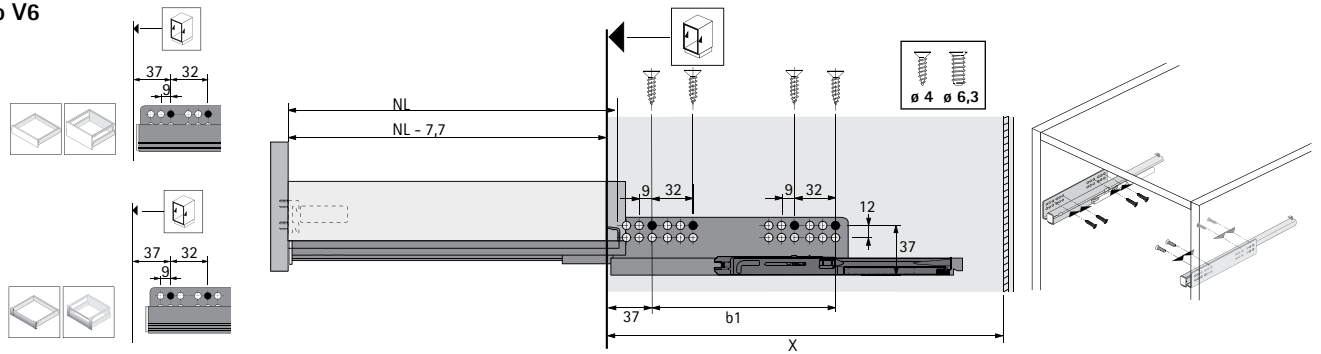


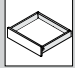

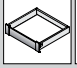





i

Quadro V6



NL mm	b1 mm		X mm	 	X mm	 
260	160		279 (PTO 305)		288 (PTO 314)	
300	160		315		324	
350	160		365		374	
420	224		435		444	
470	256		485		494	
520	256		535		544	