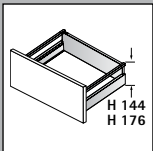


**i**

	Holzrückwand/ Wooden rear panel
A	NL + 10
B	LB - 2 x EB - 51,5
C	LB - 2 x EB - 63
D	144

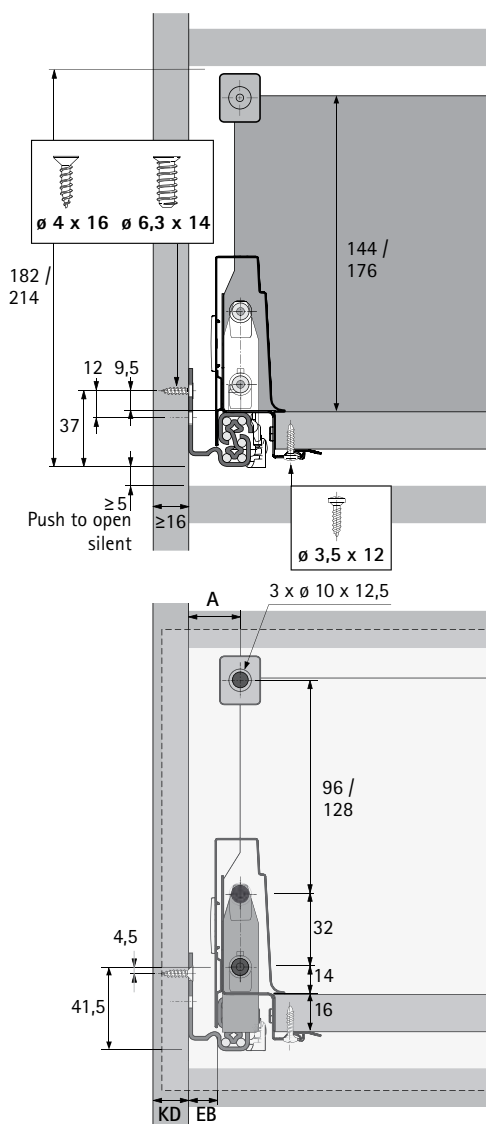
  

	Holzrückwand/ Wooden rear panel
A	NL + 10
B	LB - 2 x EB - 51,5
C	LB - 2 x EB - 63
D	176

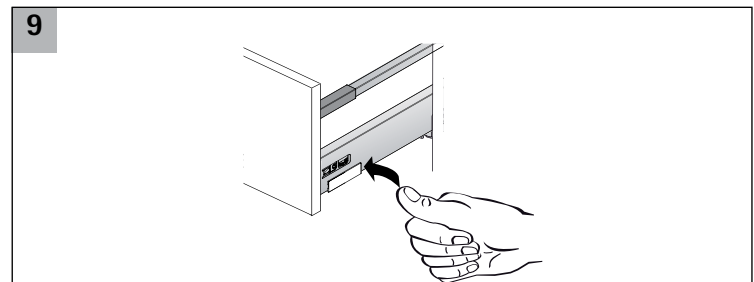
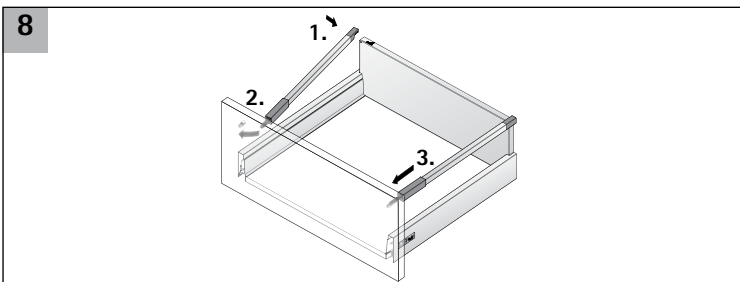
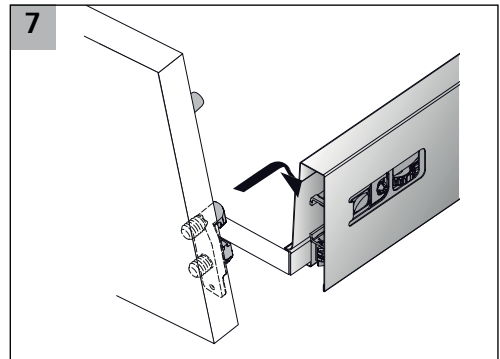
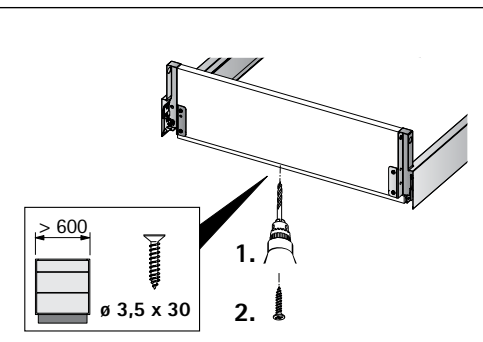
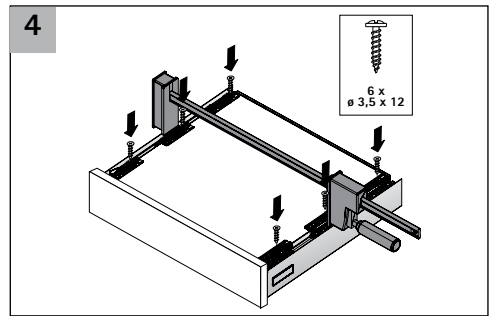
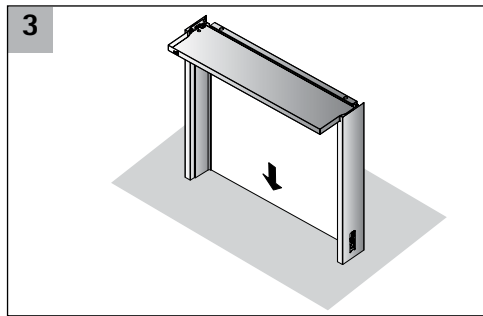
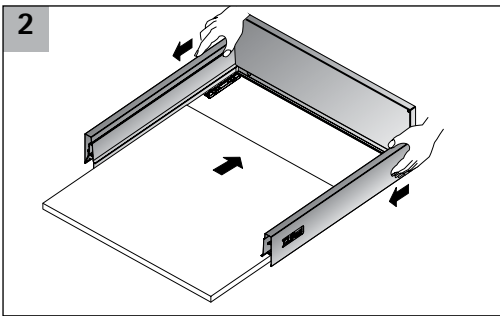
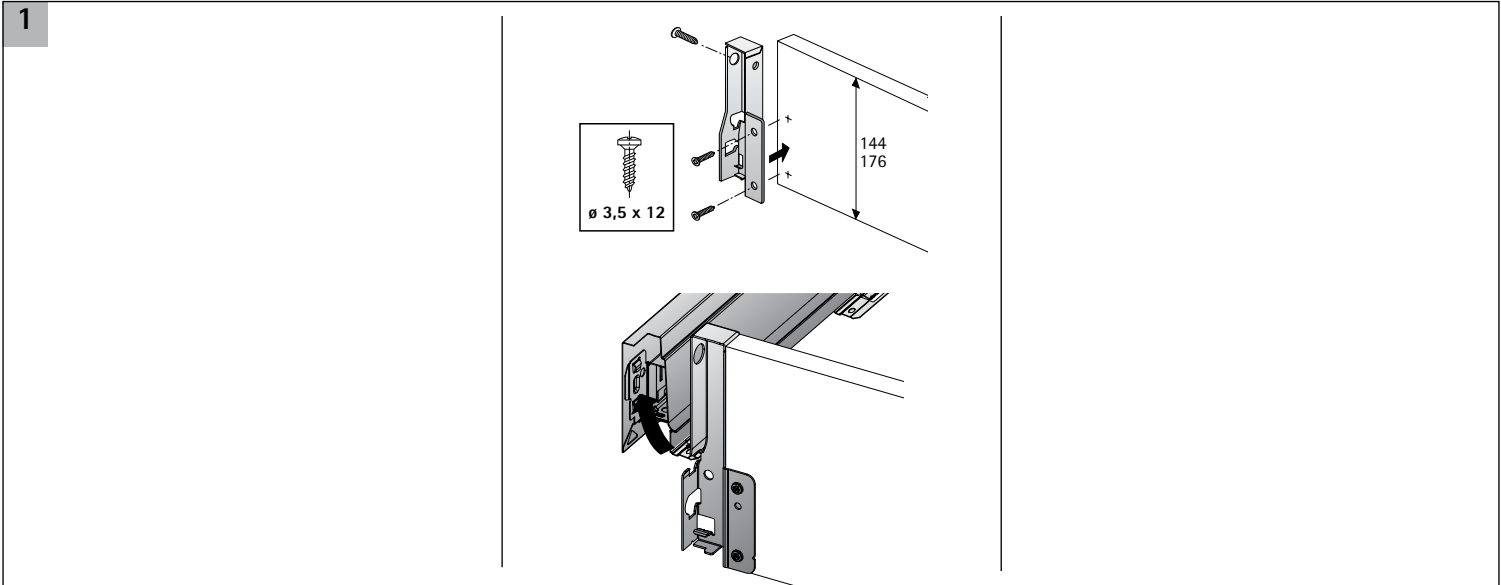
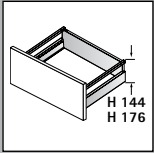


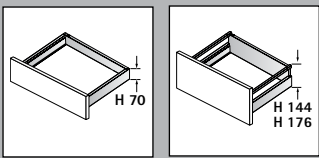
i

Quadro V6



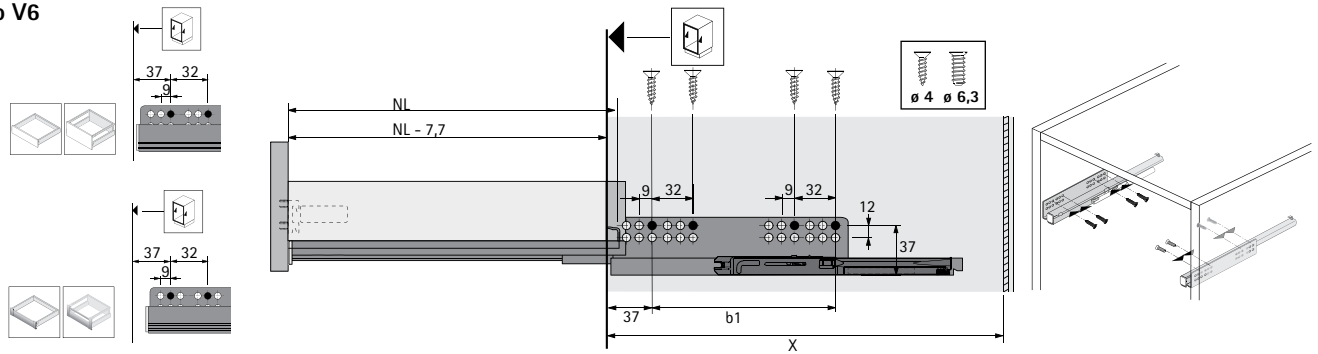
KD mm	16
EB mm	12,5
A mm	23

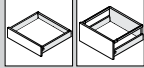
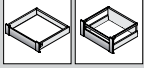




i

Quadro V6



NL mm	b1 mm		X mm		X mm	
260	160		279 (PTO 305)		288 (PTO 314)	
300	160		315		324	
350	160		365		374	
420	224		435		444	
470	256		485		494	
520	256		535		544	

